



Shipping Address

#1 Fairholm Avenue, Peoria, Illinois 61603 USA

Phone: 309-566-3000

Mailing Address

P.O. Box 5999, Peoria, Illinois 61601-5999 USA

www.rohntower.com

QUOTATION

Quote To: South Bahamas Conference
barringtonbrennen@gmail.com

Proposal Number: Q17-10339 - 5
Quote Date: 2/22/2019
Quote Valid for: 30 days

ROHN Contact: Mike Hurst

Phone: 309-566-3021

Email: m.hurst@rohntower.com

Item #	Qty	Description	Unit Price
C-16118	1	ROHN Structure: 150ft Self-Supporting Tower Model SSV Designed to Support the Antennas & Transmission Lines as shown on enclosed drawing "Q17-10339-2 PROFILE" for site "WORD SBC 88.3 FM" located in Nassau, Bahamas	
STRUCTURE		Rohn Structure Parts Total	\$23,159.00
C-16118-A		Anchor Bolts & Templates (see Optional Items for Pricing on Full Size Template)	\$1,331.00
DESIGN		(2) sets of Design Drawings & Calculations w/State of Illinois PE Seal (If Each Pg of a Design Set must be sealed, Please ADD \$250.00 for EACH set prepared in this manner)	\$1,000.00
FOUNDATION DESIGN		Conventional Foundation design based on submitted soil report	\$500.00
			SUB TOTAL
			\$25,990.00
			TOTAL
			\$25,990.00

This Structure is designed for:

Design Code: ANSI/TIA-222-REV G 2005
Wind Speed: ASCE 7-10 Ultimate Wind Speed (No Ice) = 190 MPH
Wind Speed With Ice: 50 MPH with inches Ice
Structure Class: II
Exposure Category: C
Topographic Category: 1

Price above includes:

- Tower Sections
- Step Bolts for Climbing
- Standard Leg Mounted Climbing Ladder
- Tuf Tug Safety Cable Type System w/o Trolley or Harness for Ladder ONLY
- (3) Base Grounding Lugs - see Optional Items for pricing on TIA Grounding Materials

Any Applicable State Sales Tax is NOT INCLUDED in the Prices Quoted. Please provide Sales Tax Exemption Information if Applicable.

NOTES:

- Structure Height is Nominal, unless otherwise stated.
- Structure is designed to support the Antennas and Transmission Lines as per the attached preliminary profile drawing.
- All welding conforms to AWS.
Additional corrosion protection may be required for steel guy anchors and direct embedded poles that come in direct contact with soil. This additional corrosion protection is to be provided by others, unless otherwise indicated.
- Estimated foundation based on REV G Presumptive clay soil: see attached drawing.
- In accordance with TIA-222-G, a geotechnical site investigation is required for a Class III structure and is preferred for Class I and II structures. When “Normal Soil” or “Presumptive Parameters” are used, it is the customer’s responsibility to ensure that the soil conditions are consistent with the design criteria. ROHN does not accept liability for foundation designs that are based on normal soil or presumptive parameters. ROHN recommends a site-specific geotechnical report be obtained for all site-specific foundation designs (refer to TIA-222-G Annex G for guidelines for geotechnical investigations).
- Step Bolts are provided on one leg only for sections 6 through 11 and on all three legs for sections 12 through 16 and all MW sections.
- ROHN'S proposal does not include GROUNDING, unless, the Optional REV G Standard Base Grounding Kits are purchased.
- Tower design will assume transmission lines will be evenly distributed on three tower faces and directly attached to tower members UNLESS the optional waveguide ladder is purchased.
- Lights & mounts to be provided by others.

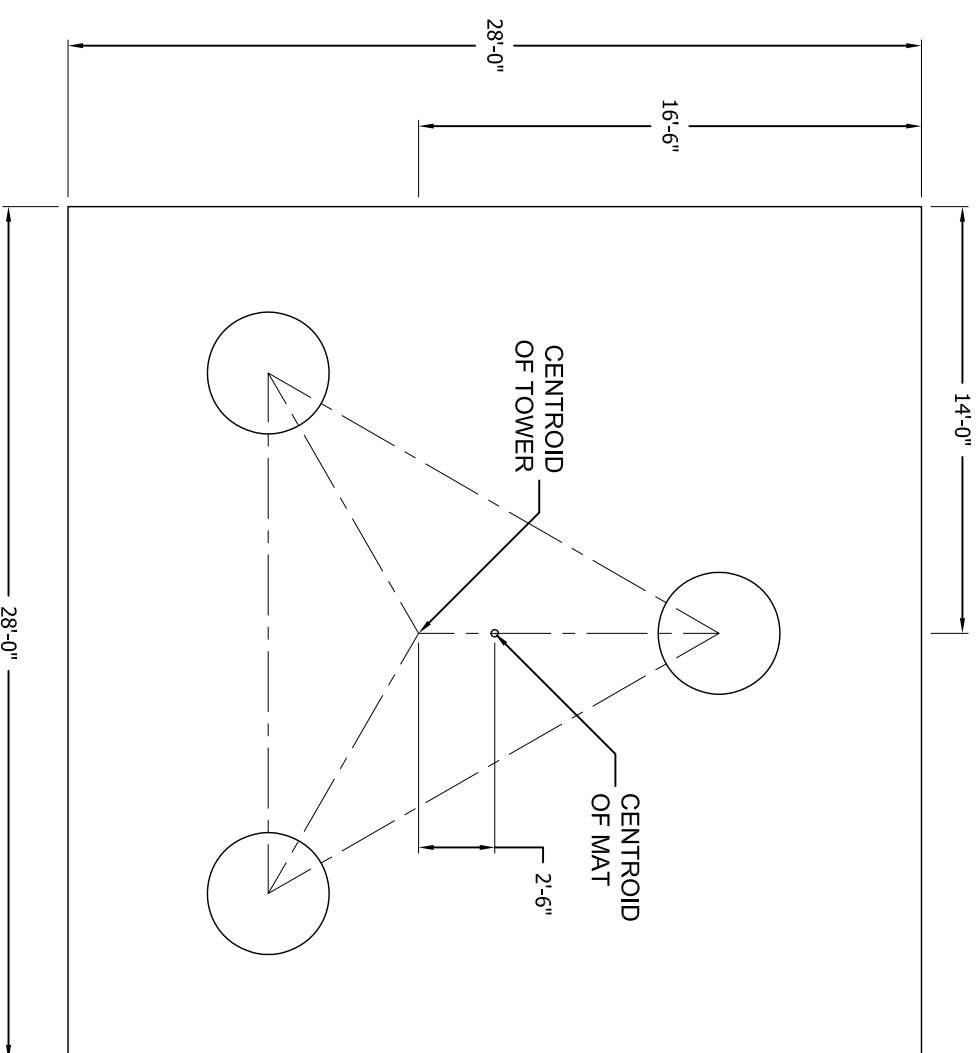
Please note that lead times are estimated and can fluctuate due to production capacity and material availability. The estimated lead times are reassessed upon receiving the Purchase Order. Please contact ROHN to verify current lead times or if a better delivery date is possible when placing an order.

Estimated Current Engineering Design Package Lead Time (ARO): 7 Business Days
 Estimated Current Structure Lead Time (ARO): 11-12 Weeks

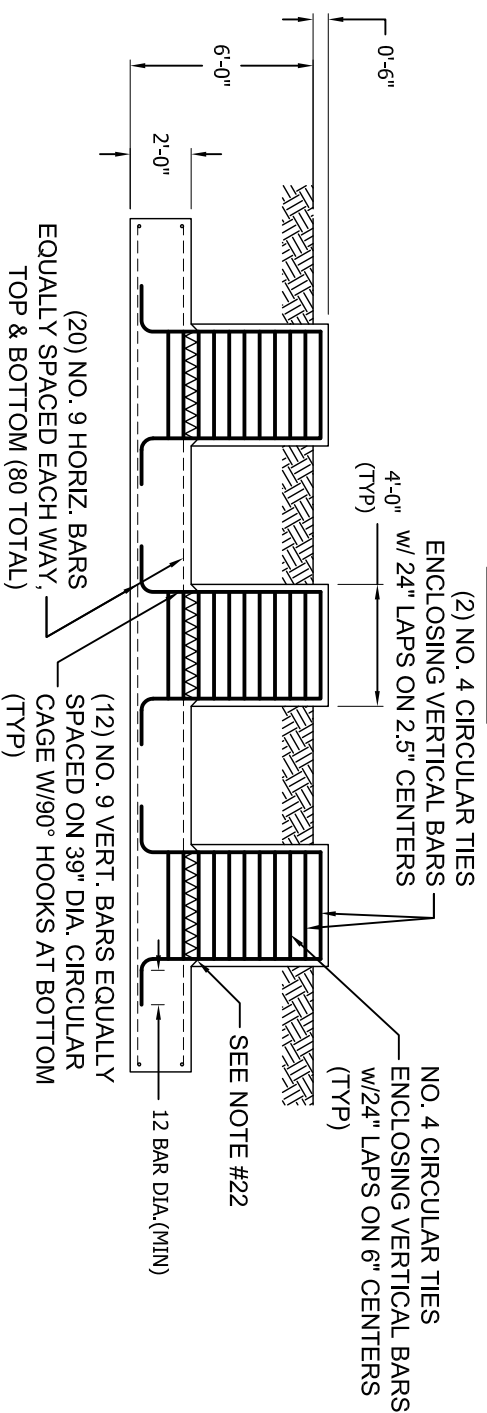
Optional Items: Not Included in Total Price. Price is Per Each Item

Qty	Description	Unit Price	Extended Price
1	Estimated Freight Charges (FLAT BED TRAILER) for shipment of the Above Quoted Tower Material to an accessible delivery site in Miami, FL with unloading by the customer *Proposal includes "Domestic" Packing only - Banded Material to Open Skid. No Export Packing, Freight or Export Taxes or Fees are included.*	\$5,755.00	\$5,755.00
1	Trolley Only	\$190.00	\$190.00
1	Journeyman Harness (Tuf Tug)	\$175.00	\$175.00
1	(1) 9-Hole Waveguide Ladder w/4ft spacing (Tower Base to Top) for 150ft Tower	\$750.00	\$750.00
1	(1) 5ft Lightning Rod (no downlead)	\$75.00	\$75.00
1	TIA REV G Standard Grounding	\$445.00	\$445.00
1	Full Size Anchor Bolt Template for 12N Base (No Anchor Bolts)	\$375.00	\$375.00

NOTE: SEE DRAWING NO. B090548 FOR STANDARD FOUNDATION NOTES.



PLAN VIEW



ELEVATION VIEW

CONCRETE VOLUME (cu.yds)

	PIER	ROUND
	6.3	
	58.1	
	64.4	
	TOTAL	

FACTORED REACTIONS

Maximum O.T.M. =	5,383.68 FT-K
Total Tower Wt =	24.50 KIPS
Total Shear =	70.69 KIPS
Max. Shear/Leg =	41.78 KIPS
Max. Ten./Leg =	332.15 KIPS
Max. Comp./Leg =	374.23 KIPS

FILE NO.

Q17-10339-2

REV.	DESCRIPTION	DWN	CHK	APP

**PRELIMINARY
NOT FOR CONSTRUCTION**



PO BOX 5999
PEORIA, IL 61601-5999
TOLL FREE 800-727-ROHN

THIS DRAWING IS THE PROPERTY OF ROHN. IT IS NOT TO BE REPRODUCED, COPIED OR TRACED IN WHOLE OR IN PART WITHOUT OUR WRITTEN CONSENT.

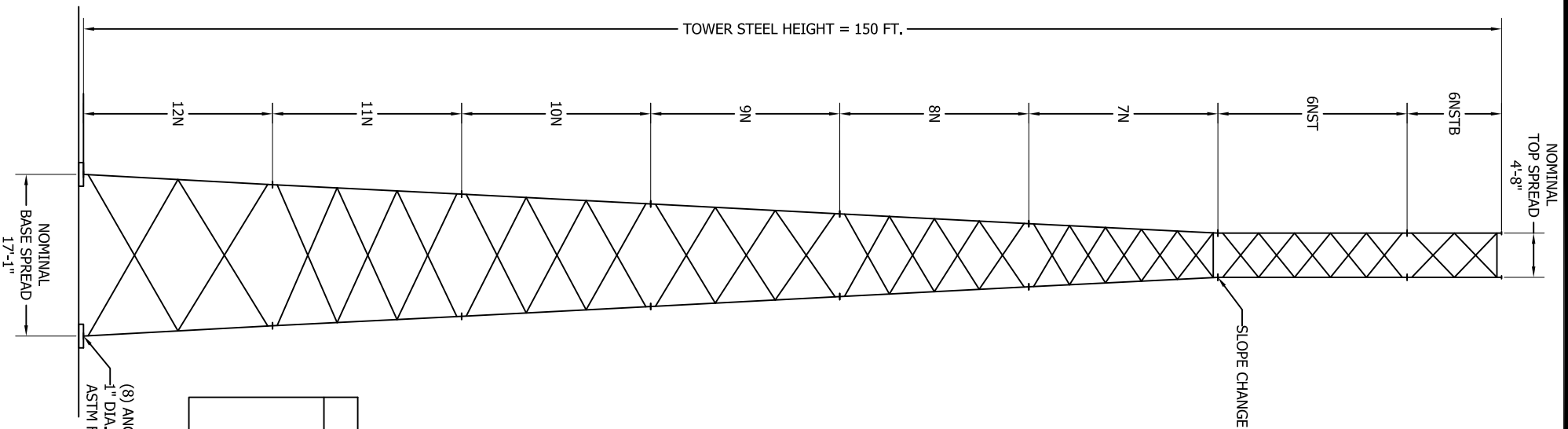
MAT WITH RAISED PIERS
PRESUMPTIVE CLAY PER ANS/TTA-222-G

DWN:	CHK'D:	DATE:
SWG		03/14/2017

ENGR:	SHEET #:
	1 OF 1

PRJ. ENGR:	PRJ. MANGR:
SWG	

DRAWING NO:	REV:
Q17-10339-2 FOUNDATION	0



MAXIMUM FACTORED REACTIONS	
COMPRESSION =	374.2 KIPS
TENSION =	332.5 KIPS
TOTAL SHEAR =	71.0 KIPS
O.T.M. =	5,384.6 FT-KIPS

PRELIMINARY
NOT FOR CONSTRUCTION

TOWER DESIGN LOADING		
DESIGN WIND LOAD PER ANSI/TIA-222-G: ASCE 7-10 ULTIMATE WIND SPEED (NO ICE) = 190 MPH STRUCTURE CLASS = II EXPOSURE CATEGORY = C TOPOGRAPHIC CATEGORY = 1		
THIS TOWER IS DESIGNED TO SUPPORT THE FOLLOWING LOADS:		
ELEVATION (FT)	ANTENNA TYPE	LINE SIZE (NOM)
TOP	LIGHTNING ROD	-
TOP	SWR FM1/6, 6-BAY	(1) 1-5/8"
110	SWR FM1/6, 4-BAY	(1) 1-5/8"
90	200 SQFT MAX EPA	(12) 1/2"

SEE STRESS ANALYSIS FOR A COMPLETE LISTING OF ALL LOADS ON TOWER.

SECTION MAIN MEMBER SCHEDULE		
SECTION	LEG	DIAGONAL
6NSTB	PIPE 2.375x0.154	L1 3/4x1 3/4x3/16 (2)
6NST	PIPE 2.875x0.203	L1 3/4x1 3/4x3/16 (5)
7N	PIPE 3.500x0.216	L1 3/4x1 3/4x3/16 (5)
8N	PIPE 4.500x0.337	L3x3x1/4 (4)
9N	PIPE 5.563x0.375	L3x3x1/4 (3)
10N	PIPE 6.625x0.340	L3x3x1/4 (3)
11N	PIPE 6.625x0.432	L3 1/2x3 1/2x1/4 (3)
12N	PIPE 8.625x0.375	L4x4x5/16 (2)

NOTE: SECTION NUMBERS ARE FOR REFERENCE ONLY. FOR NOMINAL FACE WIDTH DIMENSIONS, REFER TO THE STRESS ANALYSIS. THE NUMBERS SHOWN IN PARENTHESES INDICATE THE NUMBER OF BAYS FROM TOP TO BOTTOM.

FILE NO.	Q17-10339-2		
REVISIONS	DWNL	CHK	APP
REV./	DESCRIPTION		


 PRODUCTS LLC
 PO BOX 5999
 PEORIA, IL 61601-5999
 TOLL FREE 800-727-ROHN

SOUTH BAHAMAS CONFERENCE
 DESIGN PROFILE
 150 FT SSV TOWER
 WORD SBC 88.3 FM

DWNL:	SG	CHK'D:	DATE:
ENGR:		SHEET #:	1 OF 1
PRJ. ENGR:	SWG	PRJ. MNGR:	
DRAWING NO:	Q17-10339-2 PROFILE		REV:
			0

Quote Specific Terms:

- 1- This proposal is valid for 30 calendar days from the quotation date. Please refer to ROHN's proposal number when submitting your purchase order.
- 2- ROHN's Terms for Material Purchases are: 40% down payment with the order; 40% down payment –when fabrication is complete and the tower is ready to ship; 20% within 30 days of shipment from the point of manufacturing.
- 3- This proposal is subject to the attached Terms and Conditions of Sale.
- 4- Foundation and tower designs, if ordered independently, are \$1500. This cost is deductible from the overall price of the structure once the structure is released for production and shipped. Design work will be billed at the time the service is provided. Please specify as a separate line item on your purchase order.
- 5- Quoted prices do not include taxes. Refer to Terms and Conditions of Sale. Taxes will be invoiced unless an exemption certificate is provided with the order.
- 6- Shipment schedules are contingent upon the backlog at the time of order and the availability of materials and resources.
- 7- Certification of ROHN's products or foundation designs based on specifications provided to ROHN's do not include services for serving as a project's prime professional or engineer of record for the purposes of reviewing and coordinating documents submitted for a building permit, including deferred submittals and documents prepared by others. ROHN's has not verified that the design parameters provided to ROHN's for this proposal meets the requirements for the intended application or meets the requirements of the appropriate regulatory agencies. Price adjustments may apply for requirements in addition to those stated in this proposal.
- 8- Prices for foundation designs to be based on geotechnical data to be supplied at the time of an order are based on the design of conventional foundations consisting of pier and pad, caissons, mat and deadman anchor blocks. Other types of foundation designs, if required for site-specific conditions, will be quoted upon receipt of the geotechnical data.
- 9- Materials and services placed on hold for more than 30 days after placement of an order will be subject to a price review upon notification to proceed with the order. This may result in an increase to the quoted prices.
- 10- For structures to be shipped by the customer at the point of manufacturing, dunnage and loading charges of \$350 may apply and will be invoiced with the structure.
- 11- Storage charges will be .02% of invoice amount per day with a minimum charge of \$8.00 a day. These charges will be invoiced on a monthly basis for material requested to be withheld from shipment. Storage will begin 30 days from the date the buyer is notified that the shipment is ready for pickup or delivery.
- 12- Estimated freight pricing is obtained at the time the proposal is generated. If a significant amount of time elapses between the proposal and the customer's order date, freight prices may fluctuate. Final freight pricing will be reviewed and confirmed at the time an order is placed. Final freight pricing is subject to change.
- 13- Additional freight may apply for optional items ordered. Prices for optional items are based on the optional items being ordered with the structure.
- 14- Acceptance of an order is contingent on customer credit approval. Terms, as noted above, may be subject to change.
- 15- Design profile provided at time of quotation is preliminary and is subject to change based upon final design.
- 16- This quotation is proprietary, confidential and a trade secret of ROHN. This proposal is being provided for the exclusive use of our customer and is not to be disclosed to third parties.
- 17- Unless noted above, ROHN's general terms and conditions (attached) apply.
- 18- Purchaser agrees to accept delivery on the mutually agreed upon delivery date, typically stated in the customer's purchase order. If this date passes, and the product is completed and staged for delivery, the Purchaser acknowledges that they have accepted title to the goods by default. If customer has requested early shipment of partial materials, such materials may be invoiced at the time of shipment.
- 19- Sealed Design Drawings and Calculations will be supplied in ELECTRONIC format only unless otherwise requested.
- 20- If EACH Page of a Design set must be sealed, Please ADD \$250.00 for EACH set prepared in this manner.
- 21- For quotes including installation service the following apply:
 - a. Non-union, non-prevailing wages, and non-winter conditions.
 - b. In the event existing soil conditions are found to be other than assumed for design, change orders for a price adjustment from the quoted price may be required.
 - c. Customer agrees to obtain any and all required permits pursuant to the job.
 - d. Site accessible for over the road truck delivery of materials. Customer is responsible for unloading the truck in a timely manner, otherwise waiting charges may apply.
 - e. ROHN assumes sufficient room for delivery of tower and sufficient room for installation of tower and foundation (if applicable) at tower site.

Rohn Products LLC Terms and Conditions Relating to All Sales

1. All quotation, proposals, prices, or other terms are made for acceptance within 30 days (after 30 days, prices in effect at time of shipment will apply) and shipment within 30 days of purchase order date, unless otherwise stated. They are subject to change without notice; however, ROHN invites your request for an extension. Prices are also subject to review prior to acceptance of any order due to raw material price fluctuations. No other price protection is available. Any order placed on hold will have the price reviewed and adjusted upon release.
2. Every effort will be made to maintain shipping schedules, either on ROHN equipment or via common carrier. ROHN cannot be responsible for delays in shipping caused by state or local agencies with regard to permits, routing, weather, detours, etc. All deliveries and schedules are contingent on availability of raw materials, fuel, and transportation. ROHN will not be liable for damages on account of any delays or abnormalities caused in shipping due to causes beyond our reasonable control. ROHN reserves the right to make partial shipments and to submit invoices accordingly.
3. Changes or modifications to orders can be made only by written agreement executed by all parties affected thereby, which agreement shall include any price modification.
4. ROHN's responsibility ceases upon delivery of all shipments to the carrier. The unloading of all shipments is the responsibility of the Buyer, not the carrier or ROHN. Buyer is warned against receipting for merchandises until careful inspection has been made. Any claim made against ROHN must be made within 90 days after receipt of merchandise. All merchandise leaving ROHN's factory has been carefully inspected and ROHN does not assume responsibility for damages or shortages which occur in transit. Buyer must make all claims and report all damages and losses to the delivering transportation company.
5. No federal, state, or local taxes are included in quoted prices. All quotations, proposals, prices, or other terms are subject to increase without notification by the amount of any sales, excise, or other tax levied or charged to seller by any governmental agency and any such tax will be passed onto purchaser as a tax or as an addition to the selling price. This also applies to all costs incurred due to local statutes or governmental regulations.
6. Orders are not subject to cancellation by Buyer except by written agreement with seller. Any order canceled, after any work has been done by ROHN, such as drawings, production, etc., will have a cancellation charge, to be determined solely at the discretion of ROHN for whatever work has been performed with a minimum of 25% of the purchase order price. If Buyer so chooses, he shall have the right to receive the material already performed at time of cancellation at the quoted price. If an order is canceled before any work has been done by ROHN, a \$200 cancellation charge will apply.
7. Material received may not be returned by Buyer except by written agreement with seller. In all cases, permission must be secured from ROHN prior to the returning of any goods for credit. All returned goods are subject to a minimum service charge of 25%, plus all transportation charges, and are subject to inspection by ROHN. Returned goods will be offered and paid for only upon proof of purchase (i.e. invoice no.) and credit will be issued against invoice value. ROHN reserves the sole right to determine amount of credit to be issued on all goods returned for credit. Only standard, currently manufactured ROHN products may be considered for return and credit. Unsaleable products will be scrapped and no credit will be received. If returned goods are determined to have no value and Buyer wishes them returned, the Buyer will be charged return freight. Safety equipment, erection equipment, insulators, transformers, nuts and bolts are not returnable.
8. ROHN warrants the commercial items of its manufacture only, to be reasonably fit for the purpose for which they are manufactured and sold, provided, however, that this warranty shall be effective only if purchaser installs all material according to ROHN's recommendations and specifications and that purchaser during the warranty period shall regularly, not less than semi-annually, inspect and properly maintain all items. Any item found unfit for its purpose within 12 months from date of delivery will be repaired or replaced free of charge, F.O.B. ROHN's plant. ROHN shall be immediately notified in writing of such unfitness. ROHN reserves the sole right to determine if any material is to be repaired or replaced free of charge or to be supplied at ROHN's standard prices. Such obligation shall be limited to parts returned for inspection, properly packed and expenses prepaid, and providing inspection shall satisfactorily indicate defects. The warranty herein made is in lieu of all other warranties and, except as expressly stated herein, ROHN does not make and there are no warranties or obligations of any kind or nature whatsoever either expressed or implied including, but not restricted to, warranty or obligations as to product, material, workmanship, or manufacture or as to the use of the items covered hereby. ROHN shall not under any circumstances be liable to third persons for any claims for damages including direct, special, indirect, or consequential damages for any reason. The Buyer agrees to indemnify and to hold ROHN harmless for, of, and from any loss, claims, damages, expenses and attorney's fees, including but not limited to, any fines, penalties and corrective measures ROHN may sustain by reason of Buyer's failure to comply with said laws, rules, and regulations in connection with the performance of this sale. The above warranty warranted applies only to items manufactured by ROHN. Items not manufactured by ROHN are guaranteed only to the extent and in the manner warranted and guaranteed to ROHN by the manufacturer of such items and then only to the extent ROHN is liable to enforce such warranty or guarantee.

ROHN will assume no responsibility for the adequacy of any product if material is used which is not totally supplied by ROHN. The above sets forth the only warranty made by ROHN in connection with items manufactured or sold by it, and any provisions in any proposals, specifications, advertising, or other provisions hereof, are merely descriptive and are not to be construed as warranties made by ROHN. All warranties are void on drawings made by others, whether by a professional engineer, sealed or not, that are not rechecked by ROHN and approved by ROHN. ROHN assumes no liability for the adequacy of the drawings or the product. Without limiting the generality of the foregoing, the Buyer hereby indemnifies ROHN and hold ROHN harmless from any and all claims and/or damages (including direct, special, indirect or consequential damages, attorneys' fees and costs) relating to or arising out of any highway structure or component not designed by ROHN.

ROHN hereby disclaims any and all warranties, including express or implied warranties of merchantability and fitness for any particular purpose, relating to or arising out of metal fatigue.

9. ROHN reserves the right to change or modify the product and construction of any product manufactured by ROHN and to substitute material equal to or superior to that originally specified.

10. Buyer agrees not to disclose or make available to any third party processes, drawings, specifications, reports, photographs, data and other technical or proprietary information relating to ROHN products without obtaining prior written consent of ROHN.

11. No proposal, order, quotation, or acceptance may be changed or varied by verbal agreement, and all orders are accepted only under the provisions set forth herein.

12. Purchase orders and requests for quotations must be submitted in writing to ROHN. It is the responsibility of the Buyer or Buyer Representative to provide ROHN design criteria (environmental loads, equipment loads, operational limitations, geotechnical information, etc.) based on site-specific data. In designing the product for the Buyer, ROHN is relying solely and entirely on design criteria provided by the Buyer to ROHN. Without limiting the generality of the indemnities in these Terms & Conditions, the Buyer hereby indemnifies ROHN and holds ROHN harmless from and against any and all claims and/or damages (including direct, special, indirect or consequential damages, attorneys' fees and costs) relating to or arising out of any inaccuracy or incompleteness in design criteria provided to ROHN by the Buyer, and the Buyer waives all claims against ROHN for same.

13. If outside source inspection, assembly, etc. is required prior to shipment of an order, \$50.00 per man hour (plus equipment time, if applicable) is chargeable, with \$300.00 as a minimum.

14. Any welding inspection required by Buyer or Buyer's specifications must be done at ROHN's plant prior to packing and shipment of material from ROHN's plant.

15. A minimum charge of \$25.00 will be billed for special handling and preparation of material for air shipments.

16. ROHN reserves the right to apply all remittances and credit memos to the oldest outstanding balance in your account. No credits will be issued for any reason against a purchase order whose billing is more than 90 days old. Buyer corrections or complaints must be made within this period of time.

17. Standard catalog prices do not include special drawings or product evaluations. If any are required, there will be a charge.

18. ROHN at all times reserves the right to take pictures of any or all of its products after installation for advertising purposes, except those which are under classified governmental control.

19. The Buyer will be responsible for any extra charges incurred on prepaid shipments.

20. A service charge not to exceed 2% per month or maximum allowable per State law will be billed on all accounts not paid within 30 days of invoice date.

21. Minimum total net worth of merchandise which can be ordered is \$100.00. Any orders placed for less will be billed at \$100.00.

22. Storage charges will be .02% of invoice amount per day with a minimum charge of \$8.00 a day. These charges will be invoiced on a monthly basis for material requested to be withheld from shipment. Storage will begin 30 days from the date the buyer is notified that the shipment is ready for pickup or delivery

23. All CIA requirements must be met with certified checks or money orders to insure prompt shipment.

24. Should it become necessary for ROHN to enforce the provisions of this contract, a purchase order or an invoice through pre-suit negotiations, or by instituting or participating in any legal (including bankruptcy) proceedings, including but not limited to injunctive or other equitable/legal relief, including any appeals associated with the foregoing, ROHN shall be entitled to recover for reasonable attorney's fees, costs of collection and court costs incurred whether the attorney's fees are incurred for the purpose of negotiation, trial, appellate or other legal services.

25. Once the equipment is ready for pickup or has been shipped, an invoice for payment in full shall be issued by ROHN.

26. Buyer is responsible for inspection of material upon delivery. ROHN should be notified of any shortages or discrepancies within 48 hours of delivery. ROHN will not be responsible for down time or equipment ordered.